

Mini Baler

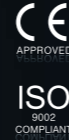
Sinobaler mini balers are designed with small press force of max. 20tons. These balers are oriented to facilities that handle small volume of soft waste including cardboard, paper, cans, bottles, rags, film and soft packaging etc. They are ideal options for facilities like malls, retail stores, hotels, vessels, grocery stores, offices, hospitals, and even houses.

These mini balers are featured with small footprint and small height. They are good choice for locations with height and space limitations. Bales produced by these balers weigh from 20kgs to 100kgs, which is easy to handle even manually.

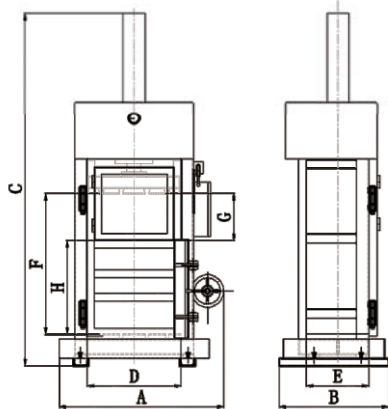
Baler Applications: paper, cardboard, film, textile, cans, bottles, and any other soft packagings.

FEATURES

- **Chain Bale Ejector**
for easy and efficient bale ejecting with the lifting up of the chain
- **Small Footprint and Height**
to suit locations with space and height limitation
- **Liquid Drainage Channel**
for draining residual liquid in the containers out of the baler to keep the recycling area neater and safer
- **Adjustable Bale Height**
for achieving various bale size and weight
- **Electric Controlled**
for easy operation, simply by operating on buttons and switches to fulfill platen moving and bale ejecting



Dimensional Data



MODEL	SVB2-S-100	SVB2-S-150	SVB2-S-200	
A	1050mm / 41"	1050mm / 41"	1080mm / 43"	1250mm / 49"
B	700mm / 28"	700mm / 28"	720mm / 28"	920mm / 36"
C	2265mm / 89"	2265mm / 89"	2300mm / 91"	2700mm / 106"
D	600mm / 24"	600mm / 24"	600mm / 24"	800mm / 31"
E	400mm / 16"	400mm / 16"	400mm / 16"	600mm / 24"
F	900mm / 35"	900mm / 35"	900mm / 35"	1200mm / 47"
G	400mm / 16"	400mm / 16"	400mm / 16"	400mm / 16"
H	500mm / 20"	500mm / 20"	500mm / 20"	800mm / 31"

Specifications

MODEL	SVB2-S-100	SVB2-S-150	SVB2-S-200		
Compressing Force (max.)	10ton (22,000lbs)	15ton (33,000lbs)	20ton (44,000lbs)		
Feed Opening	Length	600mm (24")	600mm (24")	800mm (31")	
	Height	400mm (16")	400mm (16")	400mm (16")	
Compressing Chamber Size	Length	600mm (24")	600mm (24")	800mm (31")	
	Width	400mm (16")	400mm (16")	400mm (16")	600mm (24")
Bale Size	Height	900mm (35")	900mm (35")	1200mm (47")	
	Length	600mm (24")	600mm (24")	600mm (24")	800mm (31")
Bale Weight (for OCC)	Width	400mm (16")	400mm (16")	400mm (16")	600mm (24")
	Height	200-500mm (8-20")	200-500mm (8-20")	200-500mm (8-20")	400-800mm (16-31")
Hydraulic Pressure (max.)	Bale Weight	20-40kg 44-88lbs	25-50kg 55-110lbs	30-60kg 66-132lbs	50-100kg 110-220lbs
	Stroke	16Mpa (2320psi)	16Mpa (2320psi)	16Mpa (2320psi)	16Mpa (2320psi)
Main Cylinder	Bore	100mm (3.9")	110mm (4.3")	125mm (4.9")	125mm (4.9")
	Piston Rod	70mm (2.8")	80mm (3.1")	90mm (3.5")	90mm (3.5")
Oil Reservoir	Stroke	700mm (28")	700mm (28")	700mm (28")	800mm (31")
	Capacity	40L (10.6gal)	40L (10.6gal)	40L (10.6gal)	40L (10.6gal)
Motor Power	3kw (4HP)	3kw (4HP)	4kw (5HP)	4kw (5HP)	
Number of Tying	4	4	4	4	
Cycle Time (unloaded)	25seconds	29seconds	38seconds	43seconds	
Machine Weight (approx.)	600kg (1,320lbs)	700kg (1,540lbs)	850kg (1,870lbs)	1000kg (2,200lbs)	

Overall specifications are subject to change without notice. SBM sales representative for your inquiry will give you the exact specifications for your quoted machine.
 *Bale size hereby referred to does not consider bale expanding
 ** Throughput rates are subject to your material's input density, feed speed, and other variables of production outside the control of Sinobaler.

